

Guardian Fasteners for profiled metal decking substrate

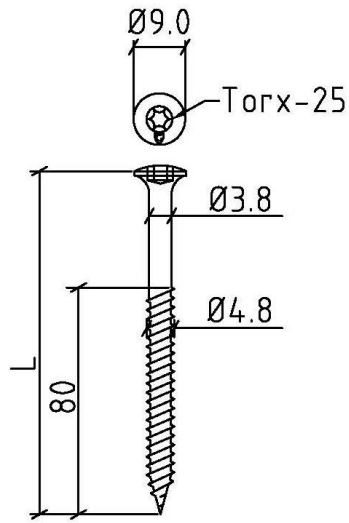


Fig. 29
PS 4.8 Screw for fixing in metal sheets

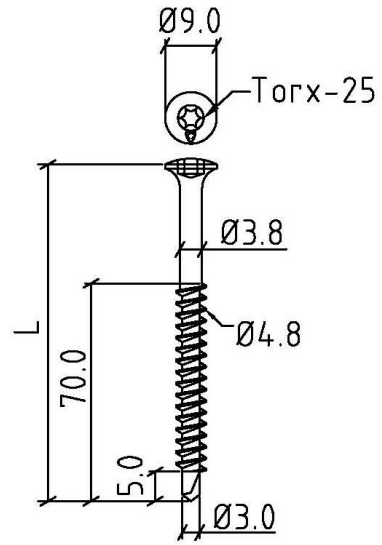


Fig. 30
BS 4.8 Screw for fixing in metal sheets
BSRF 4.8 Stainless screw for fixing in metal sheets

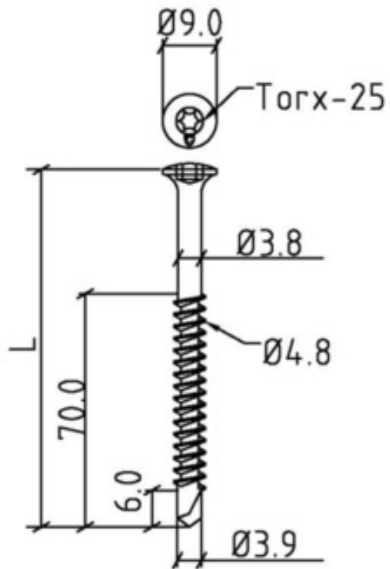


Fig. 31
BSHD 4.8 Screw for fixing in metal sheets
(steel thickness from 1,0mm up to maximum 3,0mm)

Fastener	Substrate	R _k : Characteristic values of axial load resistance (kN) ⁵⁾	Durability Resistance to unwinding EAD 030351-00-0402 cl. 5.3.7 D.2.3, D.3.1, D.3.2 and cl. 5.3.4 D.2.2
GUARDIAN PS 4.8	Steel sheet 0.70mm	1.31	Approved
GUARDIAN PS 4.8	Steel sheet 0.75mm	1.52	Approved
GUARDIAN PS 4.8	Steel sheet 1.00mm	1.94	Approved
GUARDIAN BS 4.8	Steel sheet 0.70mm	1.17	Approved
GUARDIAN BS 4.8	Steel sheet 0.70mm ⁴⁾	1.35	Approved
GUARDIAN BS 4.8	Steel sheet 0.75mm	1.45	Approved
GUARDIAN BS 4.8	Steel sheet 0.80mm	1.54	Approved
GUARDIAN BSHD 4.8	Steel sheet 1.00mm	1.65	Approved
GUARDIAN BSHD 4.8	Steel sheet 1.25mm	2.10	Approved
GUARDIAN BSRF 4.8	Steel sheet 0.75mm ⁴⁾	1.02	Approved
GUARDIAN BS 5.5	Steel sheet 0.72mm ⁴⁾	1.74	Approved
GUARDIAN BS 6.1	Steel sheet 0.60mm	1.56	Approved
GUARDIAN BS 6.1	Steel sheet 0.70mm	1.78	Approved
GUARDIAN BS 6.1	Steel sheet 0.75mm	1.98	Approved
GUARDIAN BS 6.1	Steel sheet 1.00mm	2.77	Approved
GUARDIAN BS 6.8	Steel sheet 0.50mm	1.06	Approved
GUARDIAN BS 6.8	Steel sheet 0.60mm	1.31	Approved
GUARDIAN BS 6.8	Steel sheet 0.70mm	1.78	Approved
GUARDIAN DBT 4.8-A	Steel sheet 0.70mm	1.17	Approved
GUARDIAN DBT 4.8-A	Steel sheet 0.75mm	1.41	Approved
GUARDIAN DBT 4.8-A	Steel sheet 0.80mm	1.52	Approved
GUARDIAN DBT-S-4.8-A	Steel sheet 0.75mm ⁴⁾	1.16	Approved
GUARDIAN TPR 6.3	Steel sheet 0.50mm	1.19	Approved

³⁾ Steel sheets, galvanized, min S280 according to EN 10147

⁴⁾ Steel sheets, galvanized, yieldstrength 320 MPa

⁵⁾ Obtained value from the axial load test in steel sheets substrates, table 4, and the pullover test, table 6, of washers is compared and the lowest of the two gives the characteristic value for the fastener / sleeve, washer combination of the application.