

Guardian Fasteners for wooden substrates

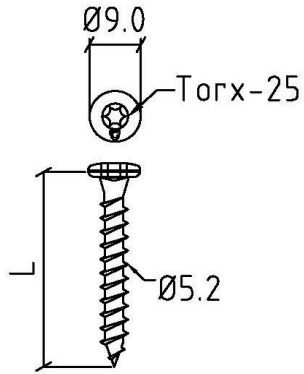


Fig. 38
TS 5.2 Screw for fixing in wood

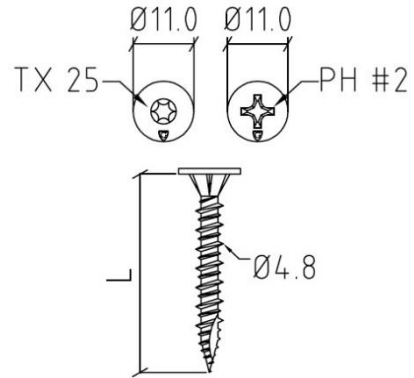


Fig. 39
MTS 4.8 screw for fastening metal to timber constructions

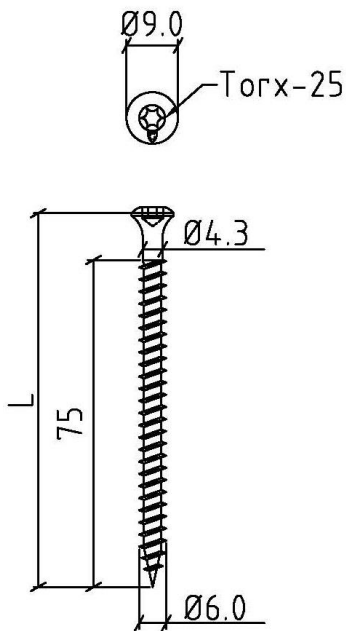


Fig. 40
LBS 6.0 Screw for light weight concrete, concrete and wooden substrates
LBS-S 6.0 Stainless screw for lightweight concrete and wooden substrates

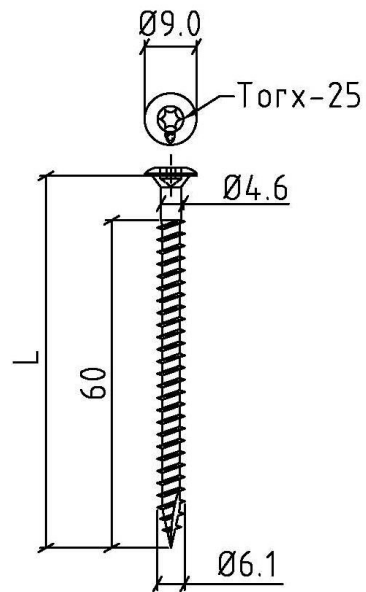


Fig. 41
HD 6.1 Screw for light weight concrete, concrete and wooden substrates

Table 5: Wood substrate

Fastener	Substrate	R _k : Characteristic values of axial load resistance (kN)
GUARDIAN HD 6.1	18 mm OSB/3 ⁷⁾	1.36
GUARDIAN HD 6.1	18 mm multilayer wood deck ¹²⁾	2.37
GUARDIAN HD 6.1	18 mm wood deck underlayment ¹¹⁾	1.94
GUARDIAN MTS 4.8	18 mm OSB/3 ⁷⁾	1.16
GUARDIAN TS 5.2	17mm softwood ⁹⁾	1.28
GUARDIAN TS 5.2	23mm softwood ⁹⁾	1.90
GUARDIAN TS 5.2	18 mm OSB/3 ⁷⁾	1.35
GUARDIAN TS 5.2	18 mm chipboard ¹⁰⁾	1.18
GUARDIAN TS 5.2	18 mm multilayer wood deck ¹²⁾	1.89
GUARDIAN TS 5.2	18 mm wood deck underlayment ¹¹⁾	1.94
GUARDIAN LBS 6.0	18 mm OSB/3 ⁷⁾	1.40
GUARDIAN LBS 6.0	23mm softwood ⁹⁾	2.00
GUARDIAN LBS-S 6.0	18 mm OSB/3 ⁷⁾	1.44
GUARDIAN LBS-S 6.0	18 mm Plywood ⁸⁾	2.92
GUARDIAN BS 4.8	18 mm OSB/3 ⁷⁾	1.05
GUARDIAN BS 4.8	18 mm Plywood ⁸⁾	1.80
GUARDIAN BSRF 4.8	18 mm OSB/3 ⁷⁾	1.05
GUARDIAN BSRF 4.8	18 mm Plywood ⁸⁾	1.54
GUARDIAN DBT 4.8-A	18 mm OSB/3 ⁷⁾	1.05
GUARDIAN DBT- 4.8-A	18 mm Plywood ⁸⁾	1.80

⁷⁾ OSB board type 3 according to EN 300

⁸⁾ Plywood according to EN 636-2, structural application

⁹⁾ Soft wood according to EN 338 C24

¹⁰⁾ Chipboard according to EN 312:2010 class P4 minimum

¹¹⁾ Multilayer wood deck Underlayment according to EN 636-2 Structural application

¹²⁾ Multilayer wood deck according to EN 636-2 Structural application