

# Guardian Tubes

## Guardian R45 sleeve range

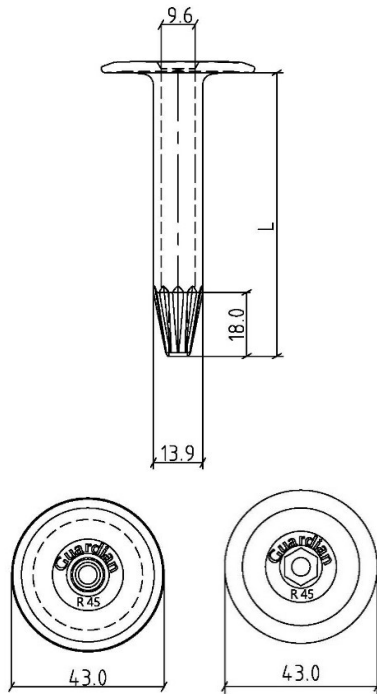


Fig. 1

Tube washer R-45 (Polypropylene)  
 Tube washer HR-45 with hexagonal internal tube shape (used together with ACS 6.1)  
 Tube washer RPA-45 (Polyamide)

## Guardian R48 sleeve range

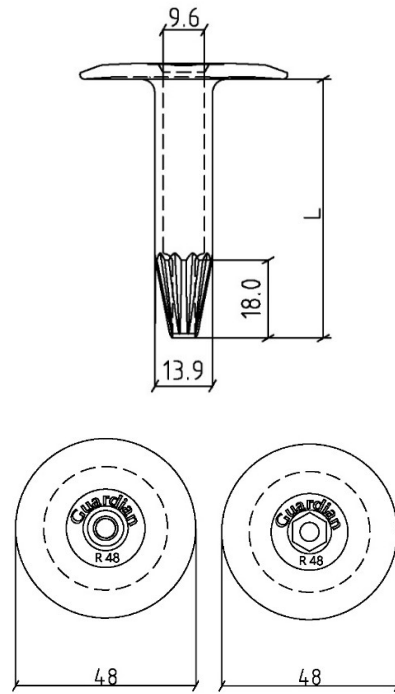


Fig. 2

Tube washer R-48 (Polypropylene)  
 Tube washer HR-48 with hexagonal internal tube shape (used together with ACS 6.1)  
 Tube washer RPA-48 (Polyamide)

## Guardian RB48 sleeve range

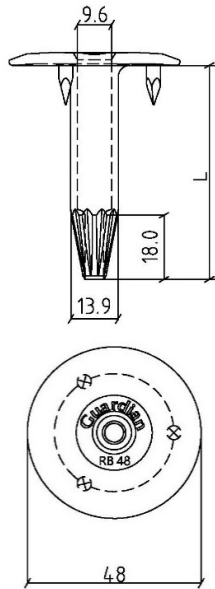


Fig. 3

Tube washer RB-48 with three barbs (Polypropylene)  
 Tube washer RBPA-48 with three barbs (Polyamide)

## Guardian RBS50 sleeve range

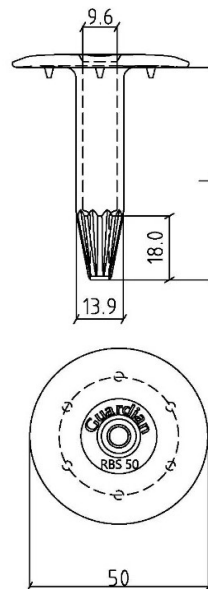


Fig. 4

Tube washer RBS-50 with six barbs

## Guardian Fasteners for profiled metal decking substrate

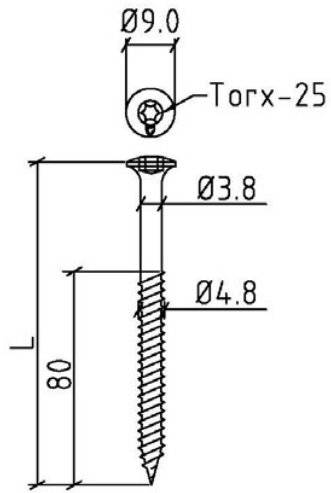


Fig. 29  
PS 4.8 Screw for fixing in metal sheets

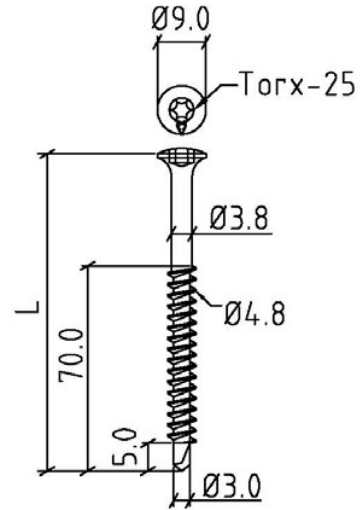


Fig. 30  
BS 4.8 Screw for fixing in metal sheets  
BSRF 4.8 Stainless screw for fixing in metal sheets

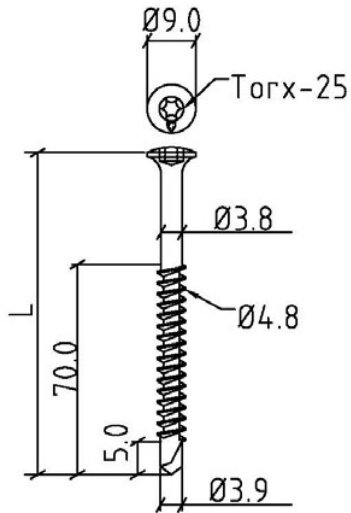


Fig. 31  
BSHD 4.8 Screw for fixing in metal sheets  
(steel thickness from 1,0mm up to maximum 3,0mm)

**Table 4: Profiled steel sheets substrate <sup>3)</sup>**

Fastener	Substrate	Washer <sup>5)</sup>	R <sub>k</sub> : Characteristic values of axial load resistance (kN)	Durability Resistance to unwinding EAD 030351-00-0402 cl. 5.3.7 D.2.3, D.3.1, D.3.2 and cl. 5.3.4 D.2.2
GUARDIAN PS 4.8	Steel sheet 0.70mm	SP 50	1.31	Approved
GUARDIAN PS 4.8	Steel sheet 0.75mm	SP 50	1.52	Approved
GUARDIAN PS 4.8	Steel sheet 1.00mm	SP 50	1.94	Approved
GUARDIAN BS 4.8	Steel sheet 0.70mm	SP 50	1.17	Approved
GUARDIAN BS 4.8	Steel sheet 0.70mm <sup>4)</sup>	SP 40	1.35	Approved
GUARDIAN BS 4.8	Steel sheet 0.75mm	SP 50	1.45	Approved
GUARDIAN BS 4.8	Steel sheet 0.80mm	SP 50	1.54	Approved
GUARDIAN BSHD 4.8	Steel sheet 1.00mm	SP 50	1.65	Approved
GUARDIAN BSHD 4.8	Steel sheet 1.25mm	SP 50	2.10	Approved
GUARDIAN BSRF 4.8	Steel sheet 0.75mm <sup>4)</sup>	SP 50	1.02	Approved
GUARDIAN BS 5.5	Steel sheet 0.72mm <sup>4)</sup>	SP 50	1.74	Approved
GUARDIAN BS 6.1	Steel sheet 0.60mm	Sleeve R 45	1.56	Approved
GUARDIAN BS 6.1	Steel sheet 0.70mm	SP 50	1.78	Approved
GUARDIAN BS 6.1	Steel sheet 0.75mm	SP 50	1.98	Approved
GUARDIAN BS 6.1	Steel sheet 1.00mm	SP 50	2.77	Approved
GUARDIAN BS 6.8	Steel sheet 0.50mm	SP 50	1.06	Approved
GUARDIAN BS 6.8	Steel sheet 0.60mm	SP 50	1.31	Approved
GUARDIAN BS 6.8	Steel sheet 0.70mm	SP 50	1.78	Approved
GUARDIAN DBT 4.8	Steel sheet 0.70mm	SPA 8240	1.17	Approved
GUARDIAN DBT 4.8	Steel sheet 0.75mm	SPA 8240	1.41	Approved
GUARDIAN DBT 4.8	Steel sheet 0.80mm	SPA 8240	1.52	Approved
GUARDIAN DBT(A)S 4.8	Steel sheet 0.75mm <sup>4)</sup>	SPA 8240	1.16	Approved
GUARDIAN GPR 6.3	Steel sheet 0.50mm	SP 50	1.19	Approved

<sup>3)</sup> Steel sheets, galvanized, min S280 according to EN 10147

<sup>4)</sup> Steel sheets, galvanized, yieldstrength 320 MPa

<sup>5)</sup> Obtained value from the axial load test in steel sheets substrates, table 4, and the pullover test, table 6, of washers is compared and the lowest of the two gives the characteristic value for the fastener / sleeve, washer combination of the application.

**Table 5: Wood substrate**

Fastener	Substrate	Washer	R <sub>k</sub> : Characteristic values of axial load resistance (kN)
GUARDIAN HD 6.1	18 mm OSB/3 <sup>7)</sup>	-	1.36
GUARDIAN HD 6.1	18 mm multilayer wood deck <sup>12)</sup>	-	2.37
GUARDIAN HD 6.1	18 mm wood deck underlayment <sup>11)</sup>	-	1.94
GUARDIAN MTS 4.8	18 mm OSB/3 <sup>7)</sup>	SP 50	1.16
GUARDIAN TS 5.2	17mm softwood <sup>9)</sup>	SP 50	1.28
GUARDIAN TS 5.2	23mm softwood <sup>9)</sup>	SP 50	1.90
GUARDIAN TS 5.2	18 mm OSB/3 <sup>7)</sup>	SP 50	1.35
GUARDIAN TS 5.2	18 mm chipboard <sup>10)</sup>	SP 50	1.18
GUARDIAN TS 5.2	18 mm multilayer wood deck <sup>12)</sup>	SP 50	1.89
GUARDIAN TS 5.2	18 mm wood deck underlayment <sup>11)</sup>	SP 50	1.94
GUARDIAN LBS 6.0	18 mm OSB/3 <sup>7)</sup>	SP 50	1.40
GUARDIAN LBS 6.0	23mm softwood <sup>9)</sup>	SP 50	2.00
GUARDIAN LBS-S 6.0	18 mm OSB/3 <sup>7)</sup>	SP 50	1.44
GUARDIAN LBS-S 6.0	18 mm Plywood <sup>8)</sup>	SP 50	2.92
GUARDIAN BS 4.8	18 mm OSB/3 <sup>7)</sup>	SP 50	1.05
GUARDIAN BS 4.8	18 mm Plywood <sup>8)</sup>	SP 50	1.80
GUARDIAN BSRF 4.8	18 mm OSB/3 <sup>7)</sup>	SP 50	1.05
GUARDIAN BSRF 4.8	18 mm Plywood <sup>8)</sup>	SP 50	1.54
GUARDIAN DBTA 4.8	18 mm OSB/3 <sup>7)</sup>	SP 50	1.05
GUARDIAN DBTA 4.8	18 mm Plywood <sup>8)</sup>	SP 50	1.80

<sup>7)</sup> OSB board type 3 according to EN 300

<sup>8)</sup> Plywood according to EN 636-2, structural application

<sup>9)</sup> Soft wood according to EN 338 C24

<sup>10)</sup> Chipboard according to EN 312:2010 class P4 minimum

<sup>11)</sup> Multilayer wood deck Underlayment according to EN 636-2 Structural application

<sup>12)</sup> Multilayer wood deck according to EN 636-2 Structural application

**Table 6: Pullover test of washer**

Washer	Fastener <sup>13)</sup> Guardian															R <sub>k</sub> : Characteristic values of axial load resistance	Durability according to EAD 030351-00-0402	
	ACS 6.1	BS 4.8	BS 5.5	BS 6.1	BS 6.8	BSHD 4.8	BSRF 4.8	CS 6.1 / CS S 6.1	DB(A) 4.8	DBT(A) 4.8	DBT(A)-S 4.8	HD 6.1	LBS 6.0 / LBS S 6.0	LBS-8.0	PS 4.8			TS 5.2
SP-40 – D/F/DD/FD	-	X	X	X	X	X	X	X	-	-	-	X	X	-	X	X	3.88	Approved
SP-40-LBS	-													X			4.29	Approved
SP-50-D. F. S	-	X	X	X	X	X	X	X	-	-	-	X	X	-	X	X	4.83	Approved
SPB-50-S	-	X	X	X	X	X	X	X	-	-	-	X	X	-	X	X	4.83	Approved
SP-70-D. F. S	-	X	X	X	X	X	X	X	-	-	-	X	X	-	X	X	2.88	Approved
SP 8240-D/F/S	-	X	X	X	X	X	X	X	-	-	-	X	X	-	X	X	5.30	Approved
SPA 8240-D/F	-	-	-	-	-	-	-	-	X	X	X	-	-	-	-	-	5.00	Approved
STBS	-	X	X	X	X	X	X	X	-	-	-	X	X	-	X	X	3.68	Approved
Sleeve R23 – STBT	-	X	X	X	X	X	X	X	-	-	-	X	X	-	X	X	1.78	Approved
Sleeve R23 – STBS7T15	-	X	X	X	X	X	X	X	-	-	-	X	X	-	X	X	1.78	Approved
Guardian screw-STBS7T15	-	X	X	X	X	X	X	X	-	-	-	X	X	-	X	X	3.68	Approved
STBST	-	X	X	X	X	X	X	X	-	-	-	X	X	-	X	X	3.68	Approved
Sarnabar + R23	X	X	X	X	X	X	X	X	-	-	-	X	X	-	X	X	1.78	Approved
Sarnabar + Guardian screw	-	X	X	X	X	X	X	X	X	X	X	X	X	-	X	X	5.00	Approved
GWSP (*)-80-F2E	-	-	X	X	X	-	-	X	-	-	-	-	X	-	-	X	2.48	Approved
Sleeve GWT + GWSP (*)-80-F4E	-	X	X	X	X	X	X	X	-	-	-	X	X	-	X	X	3.17	Approved
Sleeve R 45	-	X	X	X	X	X	X	X	-	-	-	X	X	-	X	X	1.58	Approved
Sleeve RPA 45	-	X	X	X	X	X	X	X	-	-	-	X	X	-	X	X	3.00	Approved
Sleeve R 48	-	X	X	X	X	X	X	X	-	-	-	X	X	-	X	X	1.58	Approved
Sleeve RPA 48	-	X	X	X	X	X	X	X	-	-	-	X	X	-	X	X	3.00	Approved
Sleeve RB 48	-	X	X	X	X	X	X	X	-	-	-	X	X	-	X	X	1.58	Approved
Sleeve RBPA 48	-	X	X	X	X	X	X	X	-	-	-	X	X	-	X	X	3.00	Approved
Sleeve RBS 50	-	X	X	X	X	X	X	X	-	-	-	X	X	-	X	X	1.58	Approved
Sleeve R 75	-	X	X	X	X	X	X	X	-	-	-	X	X	-	X	X	1.58	Approved
Sleeve TBPP 8040	-	X	X	X	X	X	X	X	-	-	-	X	X	-	X	X	1.58	Approved
Sleeve TBPA 8040	-	X	X	X	X	X	X	X	-	-	-	X	X	-	X	X	2.52	Approved
PP 45	-	X	X	X	-	X	X	X	-	-	-	-	X	-	X	X	2.50	Approved
Sleeve HR 45	X	-	-	-	-	-	-	-	-	-	-	-	-	-	-	-	1.58	Approved
Sleeve HR 48	X	-	-	-	-	-	-	-	-	-	-	-	-	-	-	-	1.58	Approved
Sleeve HR 75	X	-	-	-	-	-	-	-	-	-	-	-	-	-	-	-	1.58	Approved
Sleeve R45-LN	-	-	-	-	-	-	-	-	-	-	-	-	-	X	-	-	1.58	Approved
Sleeve R48-LN	-	-	-	-	-	-	-	-	-	-	-	-	-	X	-	-	1.58	Approved
Sleeve R75-LN	-	-	-	-	-	-	-	-	-	-	-	-	-	X	-	-	1.58	Approved

<sup>13)</sup>Obtained values from the axial load test in different substrates (table 2 - 5) and the pullover test (table 6) of washers/sleeves are compared and the lowest of the two gives the characteristic value for the fastener / sleeve, washer combination of the application.