

Guardian Tubes

Guardian R50 sleeve range

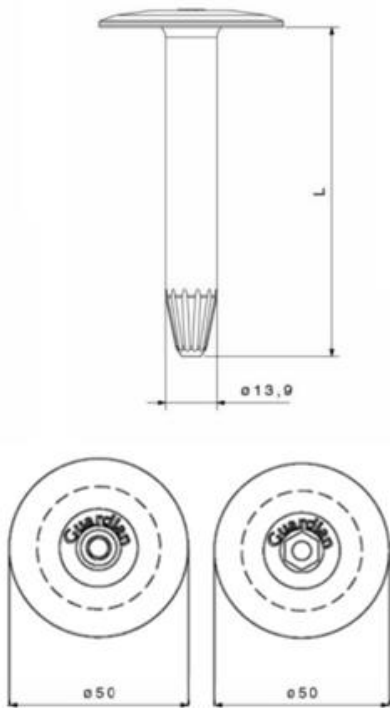


Fig. 1

Tube washer R-50

Tube washer ASTL-50 with hexagonal internal tube shape (used together with ACS 6.1)

Tube washer RPA-50 (Polyamide)

Guardian R48 sleeve range

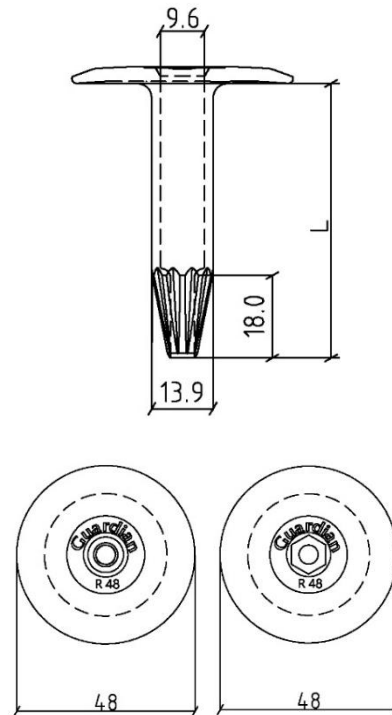


Fig. 2

Tube washer R-48 (Polypropylene)

Tube washer ASTL-48 / ASTL-50 with hexagonal internal tube shape (used together with ACS 6.1)

Tube washer RPA-48 (Polyamide)

Guardian RB48 sleeve range

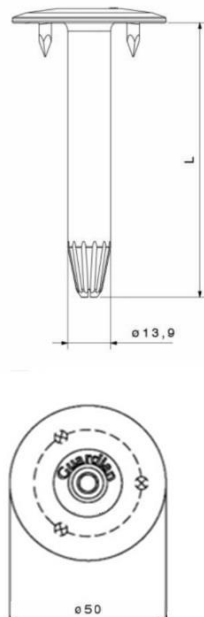


Fig. 3

Tube washer RB-48 with three barbs (Polypropylene)

Tube washer RBPA-48 with three barbs (Polyamide)

Guardian RBS50 sleeve range

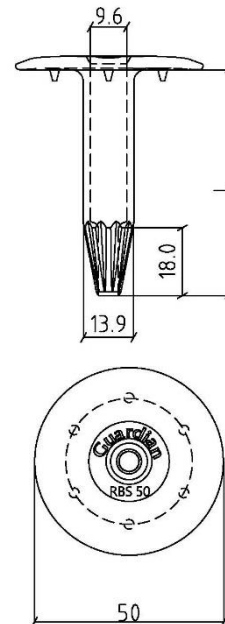


Fig. 4

Tube washer RBS-50 with six barbs

Guardian Fasteners for profiled metal decking substrate

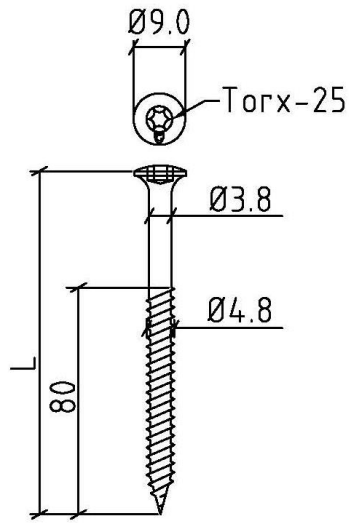


Fig. 29
PS 4.8 Screw for fixing in metal sheets

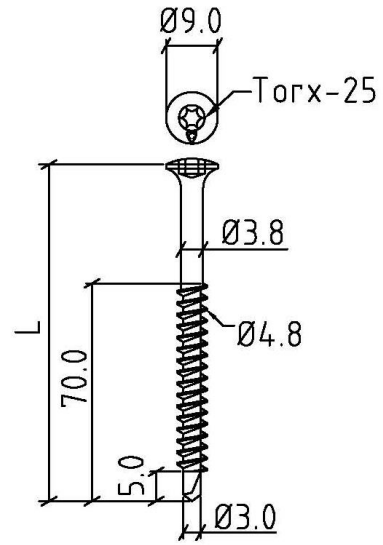


Fig. 30
BS 4.8 Screw for fixing in metal sheets
BSRF 4.8 Stainless screw for fixing in metal sheets

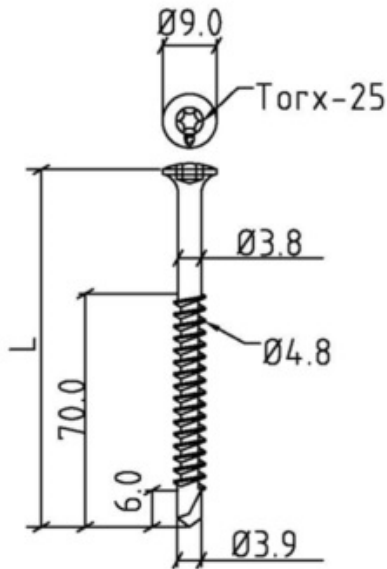


Fig. 31
BSHD 4.8 Screw for fixing in metal sheets
(steel thickness from 1,0mm up to maximum 3,0mm)

Fastener	Substrate	R _k : Characteristic values of axial load resistance (kN) ⁵⁾	Durability Resistance to unwinding EAD 030351-00-0402 cl. 5.3.7 D.2.3, D.3.1, D.3.2 and cl. 5.3.4 D.2.2
GUARDIAN PS 4.8	Steel sheet 0.70mm	1.31	Approved
GUARDIAN PS 4.8	Steel sheet 0.75mm	1.52	Approved
GUARDIAN PS 4.8	Steel sheet 1.00mm	1.94	Approved
GUARDIAN BS 4.8	Steel sheet 0.70mm	1.17	Approved
GUARDIAN BS 4.8	Steel sheet 0.70mm ⁴⁾	1.35	Approved
GUARDIAN BS 4.8	Steel sheet 0.75mm	1.45	Approved
GUARDIAN BS 4.8	Steel sheet 0.80mm	1.54	Approved
GUARDIAN BSHD 4.8	Steel sheet 1.00mm	1.65	Approved
GUARDIAN BSHD 4.8	Steel sheet 1.25mm	2.10	Approved
GUARDIAN BSRF 4.8	Steel sheet 0.75mm ⁴⁾	1.02	Approved
GUARDIAN BS 5.5	Steel sheet 0.72mm ⁴⁾	1.74	Approved
GUARDIAN BS 6.1	Steel sheet 0.60mm	1.56	Approved
GUARDIAN BS 6.1	Steel sheet 0.70mm	1.78	Approved
GUARDIAN BS 6.1	Steel sheet 0.75mm	1.98	Approved
GUARDIAN BS 6.1	Steel sheet 1.00mm	2.77	Approved
GUARDIAN BS 6.8	Steel sheet 0.50mm	1.06	Approved
GUARDIAN BS 6.8	Steel sheet 0.60mm	1.31	Approved
GUARDIAN BS 6.8	Steel sheet 0.70mm	1.78	Approved
GUARDIAN DBT 4.8-A	Steel sheet 0.70mm	1.17	Approved
GUARDIAN DBT 4.8-A	Steel sheet 0.75mm	1.41	Approved
GUARDIAN DBT 4.8-A	Steel sheet 0.80mm	1.52	Approved
GUARDIAN DBT-S-4.8-A	Steel sheet 0.75mm ⁴⁾	1.16	Approved
GUARDIAN TPR 6.3	Steel sheet 0.50mm	1.19	Approved

³⁾ Steel sheets, galvanized, min S280 according to EN 10147

⁴⁾ Steel sheets, galvanized, yieldstrength 320 MPa

⁵⁾ Obtained value from the axial load test in steel sheets substrates, table 4, and the pullover test, table 6, of washers is compared and the lowest of the two gives the characteristic value for the fastener / sleeve, washer combination of the application.

Table 5: Wood substrate

Fastener	Substrate	R _k : Characteristic values of axial load resistance (kN)
GUARDIAN HD 6.1	18 mm OSB/3 ⁷⁾	1.36
GUARDIAN HD 6.1	18 mm multilayer wood deck ¹²⁾	2.37
GUARDIAN HD 6.1	18 mm wood deck underlayment ¹¹⁾	1.94
GUARDIAN MTS 4.8	18 mm OSB/3 ⁷⁾	1.16
GUARDIAN TS 5.2	17mm softwood ⁹⁾	1.28
GUARDIAN TS 5.2	23mm softwood ⁹⁾	1.90
GUARDIAN TS 5.2	18 mm OSB/3 ⁷⁾	1.35
GUARDIAN TS 5.2	18 mm chipboard ¹⁰⁾	1.18
GUARDIAN TS 5.2	18 mm multilayer wood deck ¹²⁾	1.89
GUARDIAN TS 5.2	18 mm wood deck underlayment ¹¹⁾	1.94
GUARDIAN LBS 6.0	18 mm OSB/3 ⁷⁾	1.40
GUARDIAN LBS 6.0	23mm softwood ⁹⁾	2.00
GUARDIAN LBS-S 6.0	18 mm OSB/3 ⁷⁾	1.44
GUARDIAN LBS-S 6.0	18 mm Plywood ⁸⁾	2.92
GUARDIAN BS 4.8	18 mm OSB/3 ⁷⁾	1.05
GUARDIAN BS 4.8	18 mm Plywood ⁸⁾	1.80
GUARDIAN BSRF 4.8	18 mm OSB/3 ⁷⁾	1.05
GUARDIAN BSRF 4.8	18 mm Plywood ⁸⁾	1.54
GUARDIAN DBT 4.8-A	18 mm OSB/3 ⁷⁾	1.05
GUARDIAN DBT- 4.8-A	18 mm Plywood ⁸⁾	1.80

⁷⁾ OSB board type 3 according to EN 300

⁸⁾ Plywood according to EN 636-2, structural application

⁹⁾ Soft wood according to EN 338 C24

¹⁰⁾ Chipboard according to EN 312:2010 class P4 minimum

¹¹⁾ Multilayer wood deck Underlayment according to EN 636-2 Structural application

¹²⁾ Multilayer wood deck according to EN 636-2 Structural application

Table 6: Pullover test of washer

Washer	Fastener ¹³⁾ Guardian														R _k : Characteristic values of axial load resistance	Durability according to EAD 030351-00-0402	
	ACS 6.1	BS 4.8	BS 5.5	BS 6.1	BS 6.8	BSHD 4.8	BSRF 4.8	CS 6.1 / CS S 6.1	DBT 4.8(-A)	DBT-S-4.8(-A)	HD 6.1	LBS 6.0 / LBS S 6.0	LBS-8.0 / LBS S 8.0	PS 4.8			TS 5.2
SP-40 – D/F/DD/FD	-	X	X	X	X	X	X	X	-	-	X	X	-	X	X	3.88	Approved
SP-40-LBS	-												X			4.29	Approved
SP-50-D. F. S	-	X	X	X	X	X	X	X	-	-	X	X	X	X	X	4.83	Approved
SPB-50-S	-	X	X	X	X	X	X	X	-	-	X	X	-	X	X	4.83	Approved
SP-70-D. F. S	-	X	X	X	X	X	X	X	-	-	X	X	-	X	X	2.88	Approved
SP 8240-D/F/S	-	X	X	X	X	X	X	X	-	-	X	X	-	X	X	5.30	Approved
SPA 8240-D/F	-	-	-	-	-	-	-	-	X	X	-	-	-	-	-	5.00	Approved
STBS	-	X	X	X	X	X	X	X	-	-	X	X	-	X	X	3.68	Approved
Sleeve R23 – STBT	-	X	X	X	X	X	X	X	-	-	X	X	-	X	X	1.78	Approved
Sleeve R23 – STBS7T15	-	X	X	X	X	X	X	X	-	-	X	X	-	X	X	1.78	Approved
Guardian screw-STBS7T15	-	X	X	X	X	X	X	X	-	-	X	X	-	X	X	3.68	Approved
STBST	-	X	X	X	X	X	X	X	-	-	X	X	-	X	X	3.68	Approved
Sarnabar + R23	X	X	X	X	X	X	X	X	-	-	X	X	-	X	X	1.78	Approved
Sarnabar + Guardian screw	-	X	X	X	X	X	X	X	X	X	X	X	-	X	X	5.00	Approved
GWSP (*)-80-F2E	-	-	X	X	X	-	-	X	-	-	-	X	-	-	X	2.48	Approved
Sleeve GWT + GWSP (*)-80-F4E	-	X	X	X	X	X	X	X	-	-	X	X	-	X	X	3.17	Approved
Sleeve R 50	-	X	X	X	X	X	X	X	-	-	X	X	-	X	X	1.58	Approved
Sleeve R 48	-	X	X	X	X	X	X	X	-	-	X	X	-	X	X	1.58	Approved
Sleeve RPA 48	-	X	X	X	X	X	X	X	-	-	X	X	-	X	X	3.00	Approved
Sleeve RB 48	-	X	X	X	X	X	X	X	-	-	X	X	-	X	X	1.58	Approved
Sleeve RBPA 48	-	X	X	X	X	X	X	X	-	-	X	X	-	X	X	3.00	Approved
Sleeve RBS 50	-	X	X	X	X	X	X	X	-	-	X	X	-	X	X	1.58	Approved
Sleeve R 75	-	X	X	X	X	X	X	X	-	-	X	X	-	X	X	1.58	Approved
Sleeve TBPP 8040	-	X	X	X	X	X	X	X	-	-	X	X	-	X	X	1.58	Approved
Sleeve TBPA 8040	-	X	X	X	X	X	X	X	-	-	X	X	-	X	X	2.52	Approved
PP 45	-	X	X	X	-	X	X	X	-	-	-	X	-	X	X	2.50	Approved
Sleeve ASTL-50	X	-	-	-	-	-	-	-	-	-	-	-	-	-	-	1.58	Approved
Sleeve ASTL 48 / ASTL 50	X	-	-	-	-	-	-	-	-	-	-	-	-	-	-	1.58	Approved
Sleeve ASTL 75	X	-	-	-	-	-	-	-	-	-	-	-	-	-	-	1.58	Approved
Sleeve R50-LN	-	-	-	-	-	-	-	-	-	-	-	-	X	-	-	1.58	Approved
Sleeve R48-LN	-	-	-	-	-	-	-	-	-	-	-	-	X	-	-	1.58	Approved
Sleeve R75-LN	-	-	-	-	-	-	-	-	-	-	-	-	X	-	-	1.58	Approved

¹³⁾Obtained values from the axial load test in different substrates (table 2 - 5) and the pullover test (table 6) of washers/sleeves are compared and the lowest of the two gives the characteristic value for the fastener / sleeve, washer combination of the application.